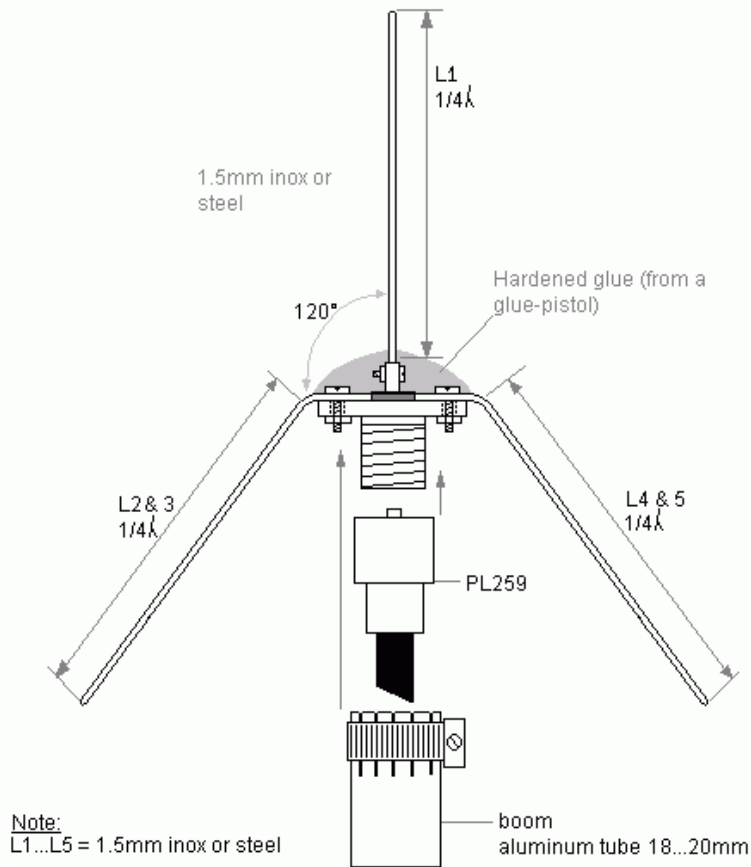


Quarter Wave Antenna, de ON6MU



Formula for all the elements

$$L = (75 / \text{Frequency in MHz}) * 0.96$$

To calculate the length of the elements for other bands use the above formula.

Example 6-meter band (50MHz):
 $(75 / 50) * 0.96 = 1.44$ meter

Dimensions for the 2meter band

L1 = 49 cm (cut for best SWR if needed)
L2...L5 = 49 cm

Dimensions for the 70cm band

L1 = 16 cm (cut for best SWR if needed)
L2...L5 = 16cm

Note: use N-connector instead of a PL-connector on UHF

